



# H3 & H5 Series

*Hot Water Dispensers with Universal Component Mounting Bracket*

## Element<sup>®</sup> and Portion Control Systems



For models produced prior to the universal component mounting bracket, please refer to H5 Illustrated Parts Catalog 10786.0001.

# ILLUSTRATED PARTS CATALOG

Designs, materials, weights, specifications, and dimensions for equipment or replacement parts are subject to change without notice.

### **Bunn-O-Matic Corporation**

Post Office Box 3227, Springfield, Illinois 62708-3227

Phone (217) 529-6601 | Fax (217) 529-6644

## **BUNN-O-MATIC COMMERCIAL PRODUCT WARRANTY**

Warranty statements and information can be found on our website. Please visit <https://commercial.bunn.com/support/warranty-lookup> for further details.

# TABLE OF CONTENTS

EXTERIOR COMPONENTS .....	4
TANK HEATER & SAFETY DEVICES.....	10
TANK, INLET & DISPENSE - H5 .....	12
TANK, INLET & DISPENSE - H3E .....	16
TANK, INLET & DISPENSE - H3X.....	18
ELECTRICAL COMPONENTS.....	22
WALL BRACKETS, DRIP TRAY & WIRE SHELF.....	28

## TIPS:

---



To **Search/Find** content in this document, use "**Ctrl+F**" (PC)

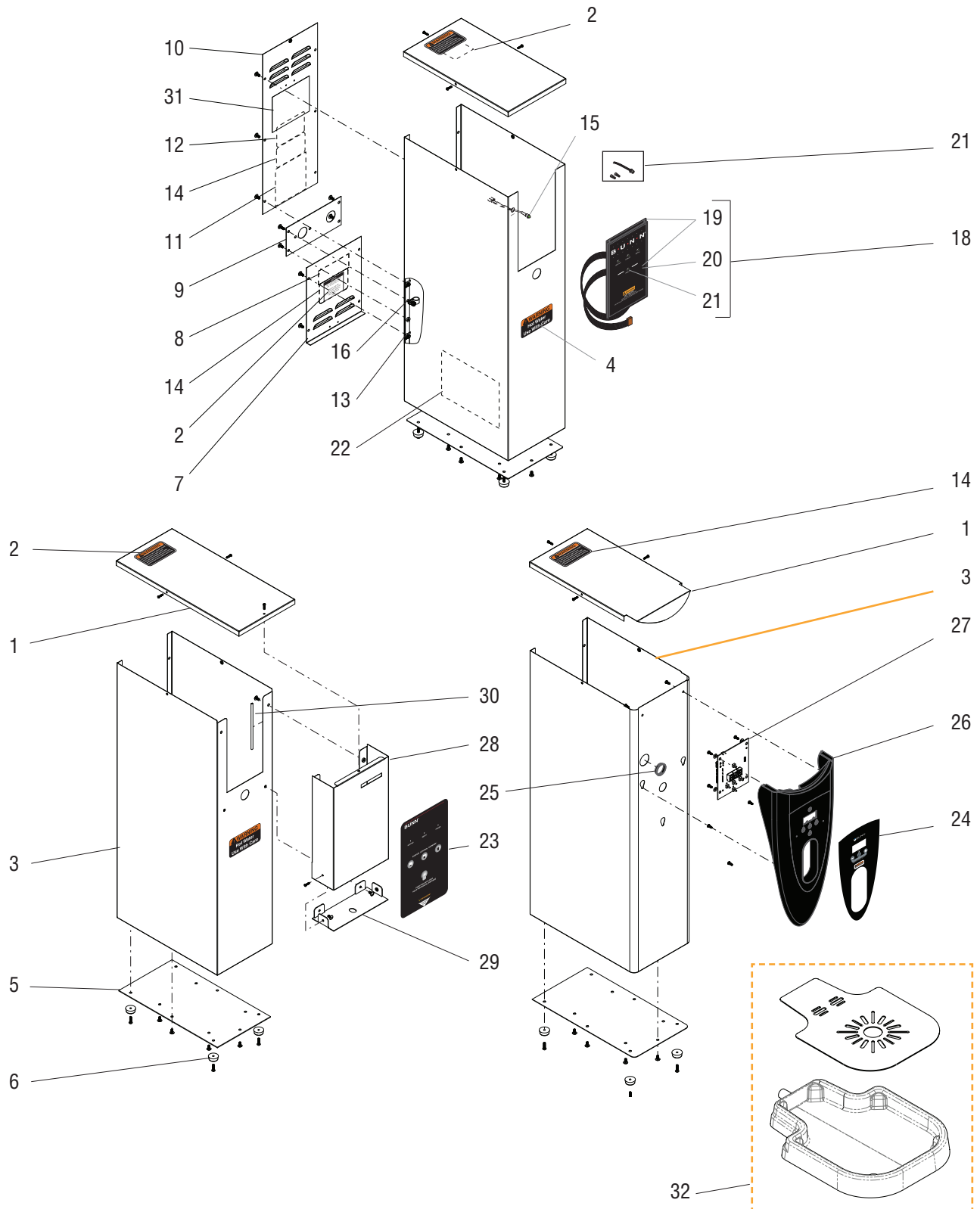


To **Search/Find** content in this document, use "**Command+F**" (Mac)



# EXTERIOR COMPONENTS

H3 & H5  
PC / Element®



P4310.25

## EXTERIOR COMPONENTS

ITEM	PART NO.	QTY.	DESCRIPTION
1	27353.0000	1	Cover W/Decal (Includes item 14) (Does <u>Not</u> Include item 2) H5X <sup>®</sup> /E/M
	12505.1009	1	Cover (PC)
	12505.1004	1	Cover W/Decal SST (Includes # 14) ELEMENT <sup>®</sup>
	12505.1005	1	Cover W/Decal Red (Includes # 14) ELEMENT
	12505.1006	1	Cover W/Decal Copper (Includes # 14) ELEMENT
	12505.1007	1	Cover W/Decal Black (Includes # 14) ELEMENT
	12505.1008	1	Cover W/Decal White (Includes # 14) ELEMENT
			1
	01303.0000	3	Screw, Pan Head #4 - 40 X .50"
2		2	Decal - Notice 200-240V Components (Used on 208 & 240V only) <b>NOT AVAILABLE</b>
3		1	Housing Wldmt, Sst (No Switch) H5e, Element <sup>®</sup>
		1	Housing Wldmt, Red Element
		1	Housing Wldmt, Copper Element
		1	Housing Wldmt, Black Element
		1	Housing Wldmt, White Element
		1	Housing Wldmt, Sst No Switch H5e/X/Ma (Ce)
		1	Housing Wldmt, Sst W/Switch H5e/X/M
		1	Housing Wldmt, Sst W/Switch H5e/X/M
		1	Housing Wldmt, Sst Front Switch H5e/X/M
		1	Housing Wldmt, Sst (0027 & Shld) H5e/X/M
		1	Housing Wldmt, Sst (0024 & Shld)H5e/X/Ma (Ce)
		1	Housing Wldmt, Sst H5-PC 200V
		12503.1005	1
	12503.0032	1	Housing Wldmt, Sst H5 Element w/Rocker Switch
	12503.1036	1	Kit, Housing Wldmt H5E/X Element-Black
		1	Housing Wldmt, Sst H3 Element w/Toggle Switch <b>NOT AVAILABLE</b>
4	12593.0000	1	Decal, Warning Very Hot Water (Not used on 72° & 100° F Dispensers)
5	12509.0000	1	Plate, Bottom All but ELEMENT
	12509.0002	1	Plate, Bottom H5 ELEMENT ONLY
	12509.0003	1	Plate, Bottom H3E ELEMENT ONLY
	12509.0004	1	Plate, Bottom H3X ELEMENT ONLY
	01315.0000	7	Screw, Truss Head #8 - 32 X .38"
6	00731.0000	4	Foot, Rubber
	01390.0000	4	Screw, Round Head #8 - 32 X .62"
7	23534.0000	1	Panel W/Decal, Rear - Lower SST (Includes items 8 & 14)) H5E/X/M/PC
	12506.1002	1	Panel W/Decal, Rear - Lower Red (Includes items 8 & 14) ELEMENT
	12506.1003	1	Panel W/Decal, Rear - Lower Copper (Includes items 8 & 14) ELEMENT
	12506.1004	1	Panel W/Decal, Rear - Lower Black (Includes items 8 & 14) ELEMENT
	12506.1005	1	Panel W/Decal, Rear - Lower White (Includes items 8 & 14) ELEMENT
		1	Panel, Rear - Lower SST H3 Element <b>NOT AVAILABLE</b>
	01311.0000	4	Screw, Truss Head #8 - 32 X .25"
8	00656.0001	1	Decal, Comply To Plumbing Code

} **NOT AVAILABLE**

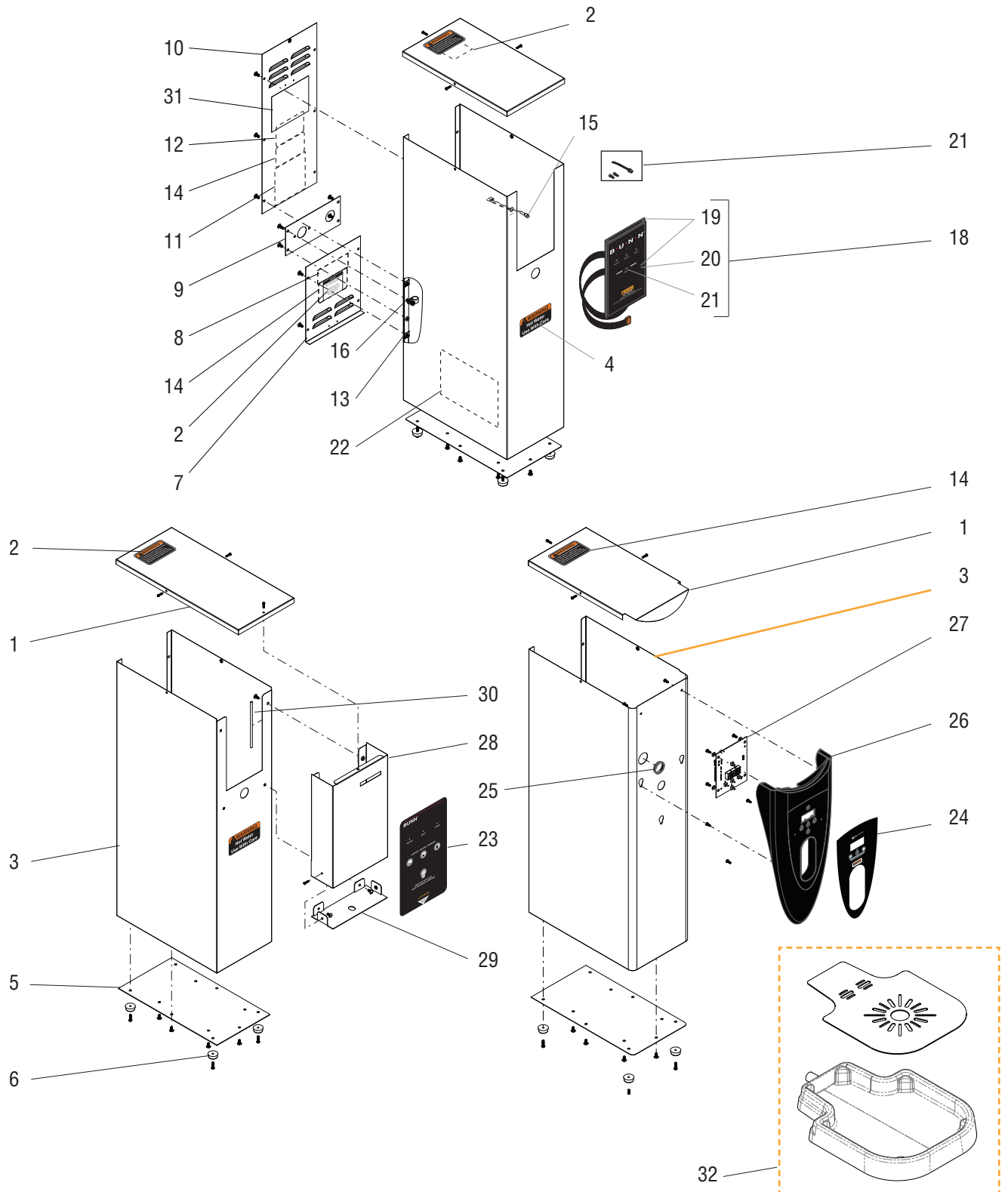
(Continued)

\* Indicates the part number listed is for reference only. 5 See DESCRIPTION for possible service replacement.



# EXTERIOR COMPONENTS

H3 & H5  
PC / Element®



## EXTERIOR COMPONENTS DESCRIPTION

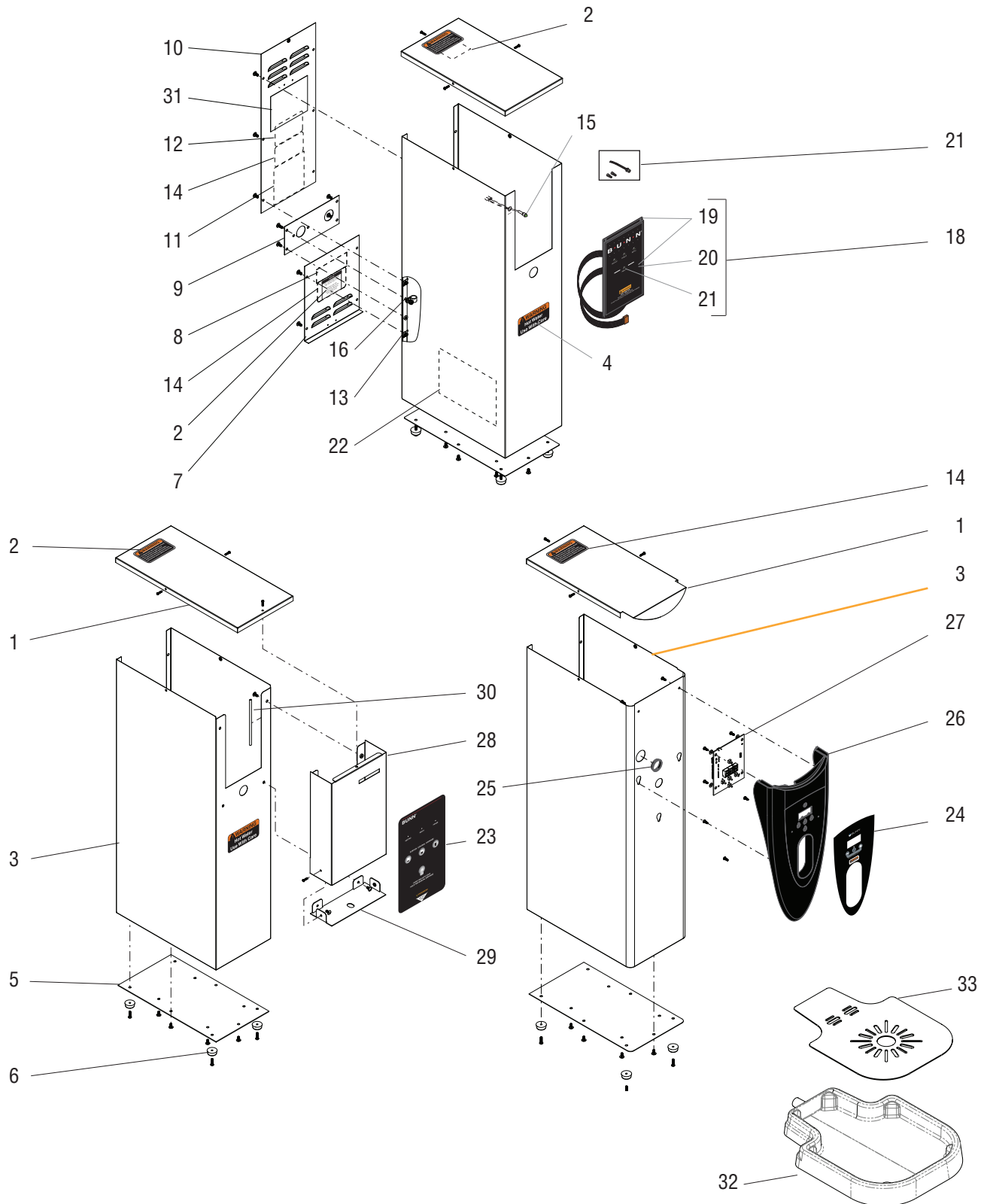
ITEM	PART NO.	QTY.	DESCRIPTION
9	12507.0001	1	Panel, Rear - Middle SST (All models except 120V H3)
	12507.1003	1	Panel, Rear - Middle Red
	12507.1004	1	Panel, Rear - Middle Copper
	12507.1005	1	Panel, Rear - Middle Black
	12507.1006	1	Panel, Rear - Middle White
	12507.0007	1	Panel, Rear - Middle SST (120V H3 Only)
	01311.0000	4	Screw, Truss Head #8 - 32 X .25" (One less used on early models)
10	23533.0001	1	Panel W/Decal, Rear - Upper SST (Includes items 11 & 14) (Also order item 12)
	12510.1001	1	Panel W/Decal, Rear - Upper Red (Includes items 11 & 14) (Also order item 12)
	12510.1002	1	Panel W/Decal, Rear - Upper Copper (Includes items 11 & 14) (Also order item 12)
	12510.1003	1	Panel W/Decal, Rear - Upper Black (Includes items 11 & 14) (Also order item 12)
	12510.1004	1	Panel W/Decal, Rear - Upper White (Includes items 11 & 14) (Also order item 12)
		1	Panel, Rear - Upper SST H3 Element <sup>®</sup> <b>NOT AVAILABLE</b>
	01311.0000	5	Screw, Truss Head #8 - 32 X .25"
01315.0000	1	Screw, Truss Head #8 - 32 X .38"	
11	00831.0000	1	Decal, Warning - Electrical
12	29710.0017	1	Decal, Optional Field Wiring 120V (PC)
	29710.0018	1	Decal, Optional Field Wiring Dual Volt (PC)
13	00917.0000	8	Clip, J-Type #8 - 32 (Early models)
14	37881.0000	3	Decal, No Serviceable Parts
15	47575.1000	1	Lamp Assy, Green 120V (Includes Terminal Housing) H5M
	47575.1001	1	Lamp Assy, Green 240V (Includes Terminal Housing) H5MA
	04243.0000	2	Terminal Housing
	20749.0000	1	Decal, Ready (H5M)
16	00603.0000	1	Clamp (Early models)
17		1	Bracket, Component Mounting (All Models) <b>NOT AVAILABLE</b>
18	21112.1000	1	Panel Assy W/LED Indicators & Decal (H5E/H5X <sup>®</sup> )
19	21033.0000	1	Panel W/Decal (H5E/H5X)
	21033.0001	1	Panel W/Decal (H5M)
20	21031.0000	1	Decal, Decorative (H5E/H5X)
	21031.0001	1	Decal, (H5M)
21	12517.0001	4	Kit, LED Indicator (Includes one LED & item 15)(Not Illustrated) (H5E/X)
	25292.0000	1	Lockwasher M6
	34130.0000	1	Nut M6
	01570.0000	2	Wire Nut, 2-24 AWG Min.
22	25151.0000	1	Shield, Insulator
23	39168.0000	1	Membrane Switch (Portion Control)
24	44025.0003	1	Decal H5 Element (Shown)
	44025.0005	1	Decal H3 Element
	44025.8754	1	Decal H3XA Element (Taiwan Only)
25	44222.0000	1	Bushing (Element)
26	44024.1001	1	Kit, Face Plate (Includes Decal & Screws) (Element)
	49749.0000	1	Face Plate H3 Element (No decal)
	44224.0000	5	Screw

(Continued)



# EXTERIOR COMPONENTS

H3 & H5  
PC / Element®



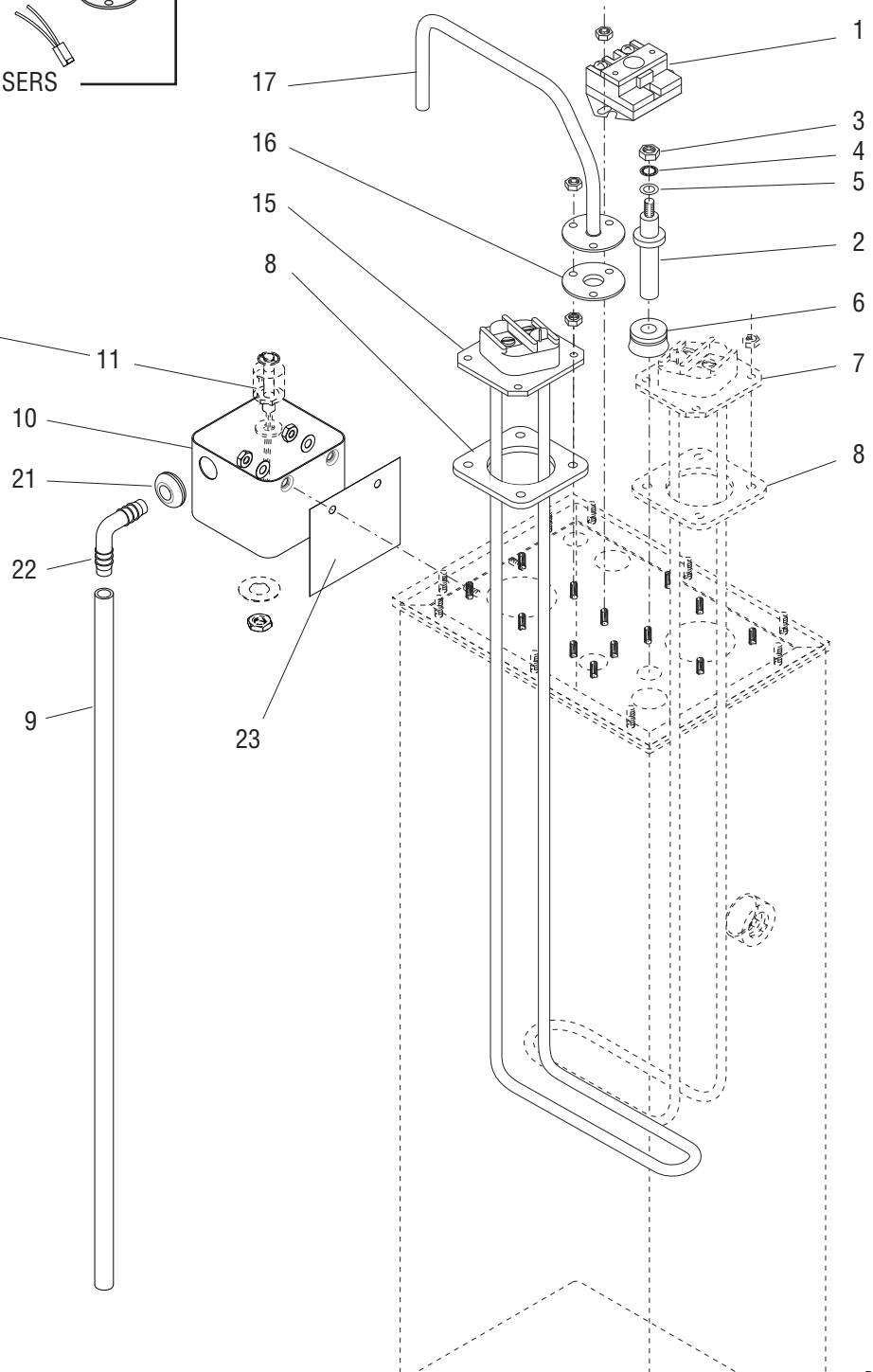
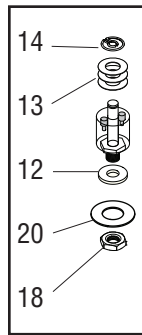
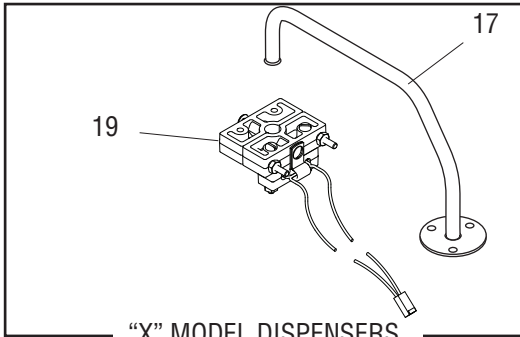
P4310.25

## EXTERIOR COMPONENTS DESCRIPTION

ITEM	PART NO.	QTY.	DESCRIPTION
27	<b>REFER TO ELECTRICAL SECTION FOR DISPLAY CBA</b>		
28	39148.0000	1	Shroud (PC)
	48890.0003	1	Shroud H3
	01303.0000	2	Screw, Pan Head #4 - 40 X .50"
	01315.0000	2	Screw, Truss Head #8 - 32 x .38"
	00970.0000	1	Nut, Keps #8 - 32
29	39146.0000	1	Bracket, Dispense Valve Support (PC)
		1	Bracket, Dispense Valve Support H3 Element® <b>NOT AVAILABLE</b>
	01315.0000	2	Screw, Truss Head #8 - 32 x .38"
30	38278.1002	-	Edging, Adhesive Lined 36.0" (Cut to fit, 5") (PC)
31	40708.0000	1	Schematic, Electrical 120V H5E (w/ Digital Control Board)
	40710.0000	1	Schematic, Electrical 208-240V H5E (w/ Digital Control Board)
	40709.0000	1	Schematic, Electrical 120V H5X (w/ Digital Control Board)
	40711.0000	1	Schematic, Electrical 208-240V H5X® (w/ Digital Control Board)
		1	Schematic, Electrical 240V (Dispensers W/Ready Light) <b>NOT AVAILABLE</b>
	40712.0000	1	Schematic, Electrical 230V H5EA, H5XA (w/ Digital Control Board)
	44657.0000	1	Schematic, Electrical 100V-240V H5 Element
	44657.0001	1	Schematic, Electrical 230V CE H5A Element
	44657.0002	1	Schematic, Electrical 230V CE H3A Element
	44657.0003	1	Schematic, Electrical 120V H3 Element
	44657.0004	1	Schematic, Electrical 120/208V H3X Element
	44657.0005	1	Schematic, Electrical 230V H3XA Element
	39333.0000	1	Schematic, Electrical DV PC
	39333.0001	1	Schematic, Electrical 230V CE PC
	39333.0002	1	Schematic, Electrical 200V PC
32	48885.0001	1	Drip Tray H3 Element
33	48885.0000	1	Cover, Drip Tray H3 Element



H5 ONLY



## TANK HEATER & SAFETY DEVICES H5 ONLY

ITEM	PART NO.	QTY.	DESCRIPTION
1	23717.0003	1	Thermostat, Limit
	00908.0000	2	Nut, Hex #8 - 32
2	02645.1000	1	Probe Kit, Water Level (Includes items 3, 4, & 5)
3	00908.0000	1	Nut, Hex #8 - 32
4	20203.0100	1	Lockwasher, Internal Tooth #8
5	01501.0000	1	Washer .164" I.D. x .375" O.D.
6	38114.0000	1	Grommet, Silicone W/Flange
7	12524.1000	1	Tank Heater Kit 1800W 120V (DUAL VOLT ONLY) Includes item 8
	00908.0000	4	Nut, Hex #8 - 32
8	12398.0000	2	Gasket, Tank Heater
		1	Tube, Silicone .312" I.D. x 21.5" (Not available, order # 24, cut as needed)
10	41259.1003	1	Overflow Cup Assy (Includes: Insulating film, grommet & elbow)
	00910.0000	2	Nut, #10 - 32
	01522.0000	2	Washer
11	03803.0002	1	Switch Assy, Liquid Level 120V (Includes items 12, 13 & 14) with Termianals
12	03633.0000	2	Gasket, Float Switch (Only 1 used in this application)
13		3	Washer, Adjusting (DO NOT USE IN THIS APPLICATION)
14	03807.0000	1	Clip, Spring
15	12524.1000	1	Tank Heater Kit 1800W 120V
	12322.1000	1	Tank Heater Kit 4000W 240V & 230V
	12305.1000	1	Tank Heater Kit 4000W 208V
	12453.1000	1	Tank Heater Kit 6000W 240V
	12452.1000	1	Tank Heater Kit 6000W 208V
	20922.1003	1	Tank Heater Kit 3700W 208V (Used in 200V Models)
	00908.0000	4	Nut, Hex #8 - 32
16	05515.0000	1	Gasket
17	12518.0000	1	Tube, Overflow
	12585.0000	1	Tube, Overflow ("X" Model Dispensers)
	00908.0000	3	Nut, Hex #8 - 32
18	00946.0000	1	Nut, Hex .125" FPT
19	12586.0000	1	Thermistor Assembly ("X" Model Dispensers only)
20	04797.0000	1	Washer
21	02536.0000	1	Grommet
22	41280.0001	1	Elbow
23	41266.0000	1	Film, Insulating

Heater kits  
include item 8

**The following items are not illustrated**

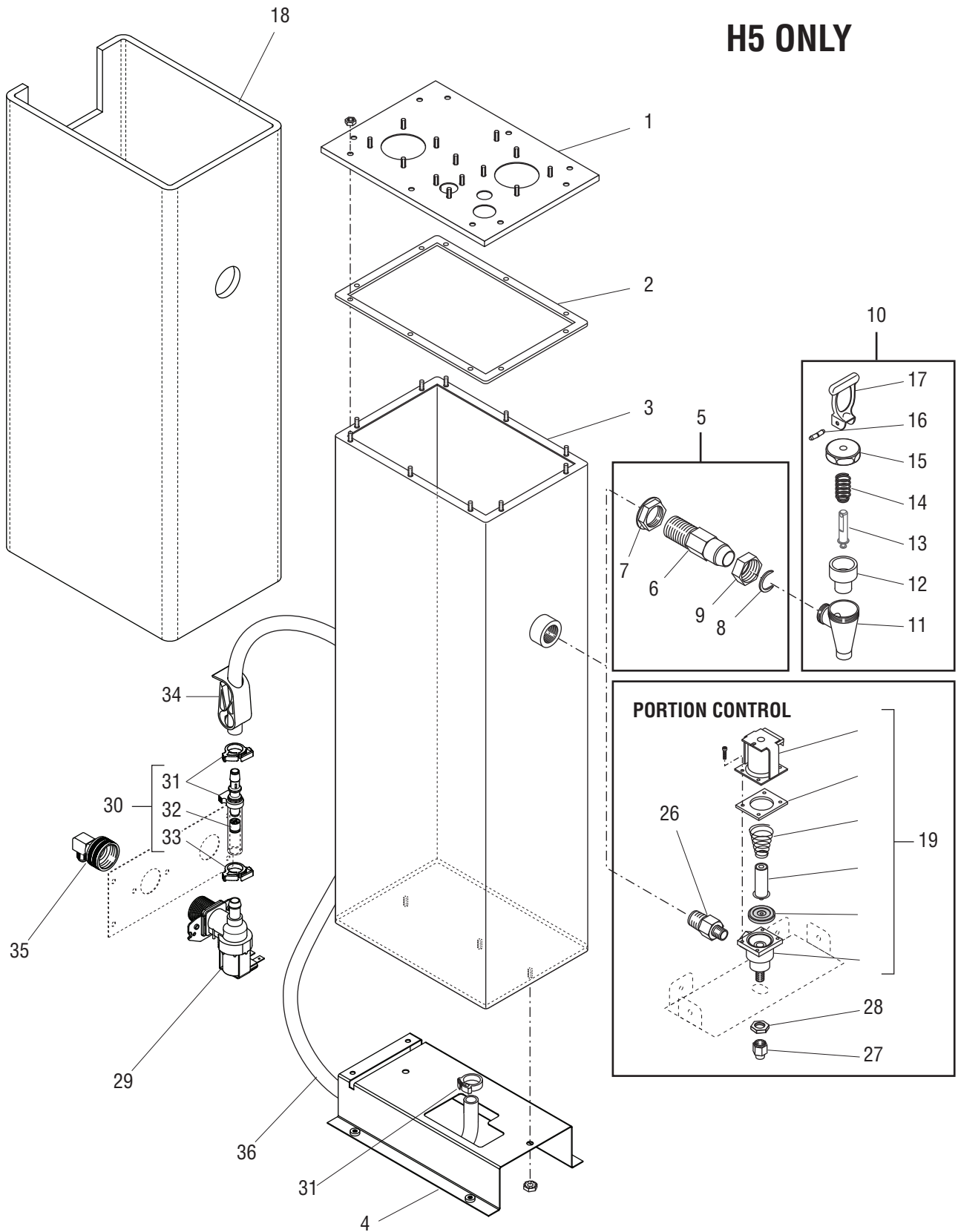
24	03236.1001	-	Tube, Silicone 5/16 x 3'
	03236.1002	-	Tube, Silicone 5/16 x 10'
	03236.1003	-	Tube, Silicone 5/16 x 5'



# TANK, INLET & DISPENSE H5 ONLY

**H3 & H5**  
PC / Element®

## H5 ONLY



## TANK, INLET & DISPENSE H5 ONLY

ITEM	PART NO.	QTY.	DESCRIPTION
1	25922.0003	1	Lid, Tank (Single Heater)
	25922.0004	1	Lid, Tank (Dual Heater)
	00906.0000	10	Nut #6 - 32
2	12377.0000	1	Gasket, Tank lid
3	25920.1010	1	Tank - Flanged bottom
4	12514.0005	1	Bracket, Tank Mounting (5 gal. only)
	00971.0000	1	Nut, Keps #10 - 32
5	07061.0001	1	Faucet Shank Assy (Includes items 6 thru 9)
6	-----	1	Faucet Shank Body (Not available order item 5)
7	07119.0000	1	Faucet Shank Nut
8	01221.0000	1	Faucet Shank C-Ring
9	01268.0000	1	Faucet Union Nut
10	07094.0101	1	Faucet Assy Red Handle & Bnt Self/Lock AM (Includes items 11 thru 17)
11	-----	1	Faucet Body (Not available order item 10)
12	00600.0000	1	Faucet Seat Cup
13	35271.0001	1	Faucet Stem AM
14	00601.0000	1	Faucet Spring
15	07127.0103	1	Faucet Bonnet Nut, 1.375-18 AM
16	01219.0000	1	Faucet Handle Pin
17	07244.0100	1	Faucet Handle Red/Water AM
18	44223.1000	1	Kit, Tank Insulation
19	26846.0000	1	Valve Assembly, 120V <b>(Discontinued, use 56771.0000)</b>
	26846.0001	1	Valve Assembly, 200V <b>(Discontinued, use 56771.0001)</b>
	26846.0002	1	Valve Assembly, 240V <b>(Discontinued, use 56771.0002)</b>
	11517.0008	-	Repair Kit (Includes plunger, spring & diaphragm)
	23255.0000	-	Diaphragm Only
	23254.0000	4	Screw
	23256.0000	1	Spacer Plate
	56771.0000	1	Valve Assembly, Sprayhead 120V
	56771.0001	1	Valve Assembly, Sprayhead 200V
	56771.0002	1	Valve Assembly, Sprayhead 240V
	56815.0000	-	Repair Kit (Includes plunger, spring & diaphragm)
	56816.0000	-	Diaphragm Only
	22305.0001	1	Coil 120VAC (used in both styles)
	22305.0002	1	Coil 240VAC (used in both styles)

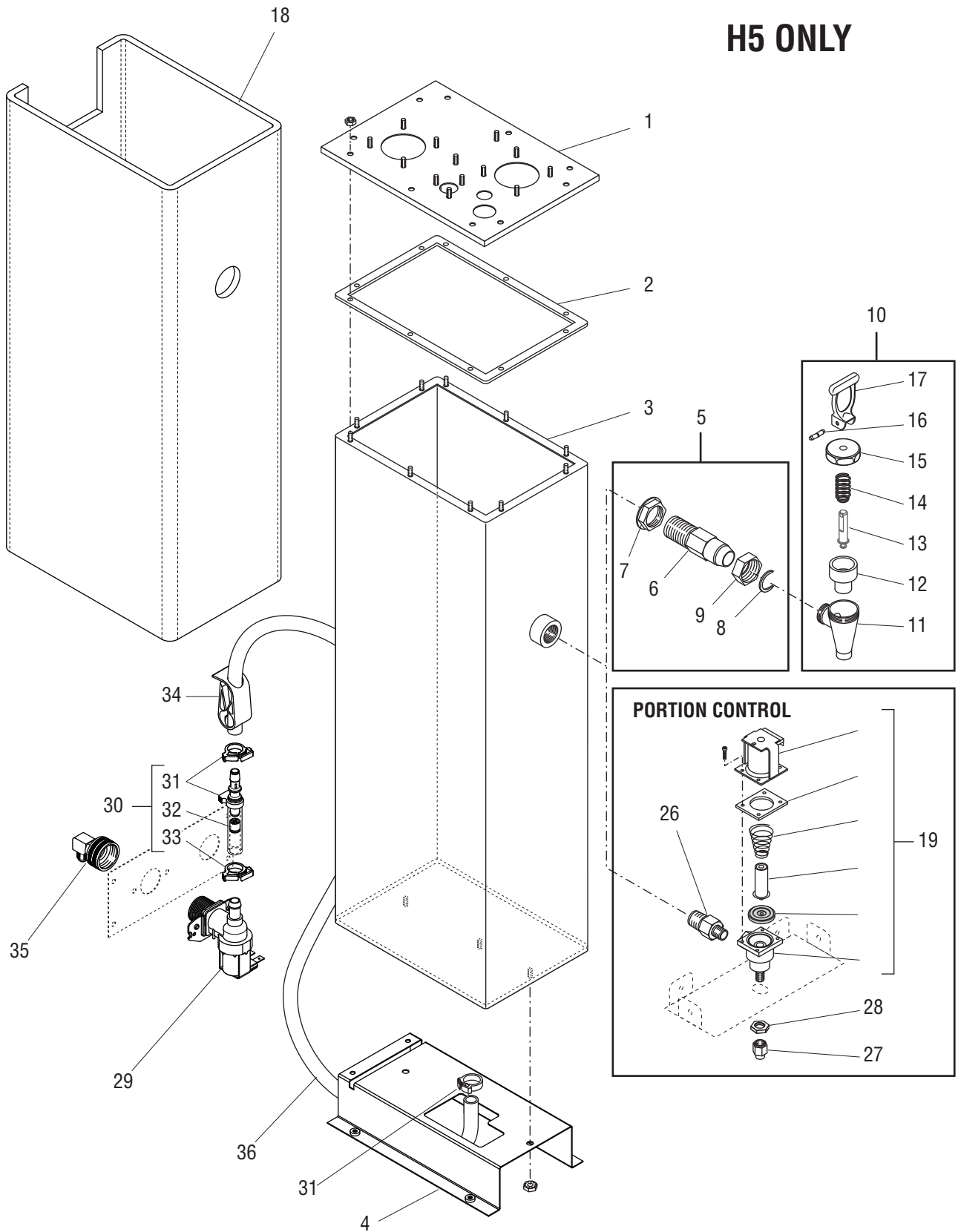
(Continued)



# TANK, INLET & DISPENSE

**H3 & H5**  
PC/Element®

**H5 ONLY**



## TANK, INLET & DISPENSE

ITEM	PART NO.	QTY.	DESCRIPTION
20			
21			
22			
23			
24			
25			
26	39222.0000	1	Fitting, .5" NPTF x .25" NPTF
27	00924.0000	1	Nut, Flare Chrome Plated .25"
28	01075.0000	1	Nut, .438"-20
29	40506.0016	1	Valve Assy, Inlet 120V
	40506.0015	1	Valve Assy, Inlet 240V
	40506.0017	1	Valve Assy, Inlet 230V CE
	40506.0018	1	Valve Assy, Inlet 200V
	40506.0019	1	Valve Assy, Inlet 230V CE H3EA Element®
	40506.0021	1	Valve Assy, Inlet 120V H3E Element
	32283.0000	2	Screw, Pan Head M4 x 6mm
	46884.0000	1	Strainer
30	41716.1004	1	Tube Assembly w/Check Valve
31	12422.0001	3	Clamp, SNP-10
32	36378.0001	1	Check Valve
33	12422.0005	1	Clamp, SNP-12
34	11630.0001	1	Clamp, Shut Off
35	37297.0006	1	Elbow .25" Flare x .75" FTHD
36		1	Tube, Silicone .375" ID X 30" for 5 gallon (Not Available, Order # 39)
		1	Tube, Silicone .375" ID X 28" for 3 gallon (Not Available, Order # 39)
<b>The following items are not illustrated</b>			
37	28710.0000	-	Faucet Repair Kit (Includes items 12,13,14 & 17)
38	11517.0008	-	Repair Kit, Dispense Valve (Includes one each of spring, plunger and diaphragm)
39	20976.1001	-	Tube, .375" ID x 3' (Use as required)
	20976.1002	-	Tube, .375" ID x 10' (Use as required)
	20976.1004	-	Tube, .375" ID x 250' (Use as required)

Inlet parts used  
in all models

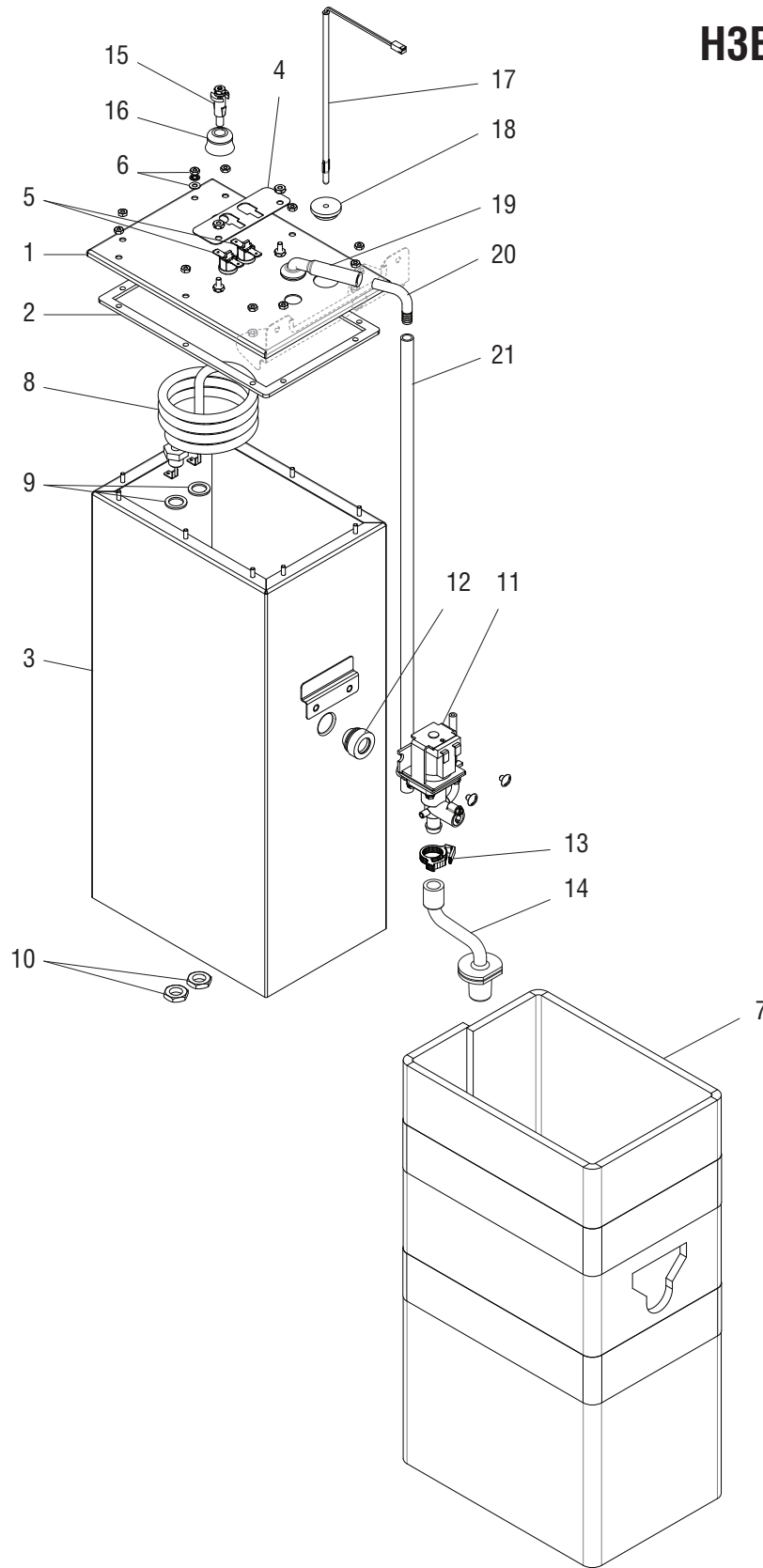
\* Indicates the part number listed is for reference only. 15 See DESCRIPTION for possible service replacement.



# TANK, INLET & DISPENSE H3E ONLY

H3 & H5  
PC / Element®

## H3E ONLY



## TANK, INLET & DISPENSE H3E ONLY

ITEM	PART NO.	QTY.	DESCRIPTION
1	48883.0001	1	Lid, Tank
2	12377.0000	1	Gasket, Tank lid
3	49639.0000	1	Tank
4	46043.0000	1	Bracket, Dual Thermostat
	00908.0000	4	Nut, Hex #8 - 32
5	50291.0000	2	Thermostat, Limit Manual Reset (H3EA Only) Shown
	29329.1001	2	Thermostat, Limit Auto Reset H3E
6	00906.0000	10	Nut #6 - 32
	20203.0100	1	Lock Washer
	01501.0000	1	Flat Washer
7	44223.0001	1	Insulation, Tank
8	02755.1003	1	Heater 1680W 120V (Includes gaskets)
	29669.1000	1	Heater 3000W 240V (Includes gaskets)
9	00943.0000	2	Gasket, Heater
10	00942.0000	2	Nut, Heater
11	39285.1001	1	Dispense Valve 120V
	34202.0004	1	Dispense Valve 230V
	01326.0000	2	Screws, TRH SLTD SST 10-32 x 1/4"
12	37970.0000	1	Grommet
13	12422.0009	1	Clamp, SNP-14
14	50094.0004	1	Tube, Dispense
15	07412.1003	1	Level Probe
16	38114.0000	1	Grommet
17	12568.0007	1	Temp Probe
18	12570.0000	1	Grommet
9	38969.0003	1	Fitting, 90°
20	34282.0000	1	Elbow, SST
21		1	Tube, Silicone 5/16 x 15.0" (Not available, order # 22, cut as needed)

**The following items are not illustrated**

22	03236.1001	-	Tube, Silicone 5/16 x 3'
	03236.1002	-	Tube, Silicone 5/16 x 10'
	03236.1003	-	Tube, Silicone 5/16 x 5'



## TANK, INLET & DISPENSE H3X ONLY

ITEM	PART NO.	QTY.	DESCRIPTION
1	25922.0006	1	Lid, Tank
2	12377.0000	1	Gasket, Tank lid
3	52605.0000	1	Tank
4	21114.0001	1	Switch, Float
5	23717.0003	2	Thermostat, Limit Manual Reset (H3X Only)
6	12586.0002	1	Bracket/Thermistor Assembly ("X" Model Dispensers only)
7	44223.0002	1	Insulation, Tank
8	27349.1007	1	Heater 3000W 240V (Includes gasket)
	27349.1008	1	Heater 1800W 120V (Includes gasket)
	27349.1009	1	Heater 3200W 208V (Includes gasket)
	27349.1010	1	Heater 1340W 120V (Includes gasket)
	00908.0000	4	Nut, SST 8-32
9	12398.0000	2	Gasket, Heater
10	41259.1003	1	Overflow Cup Assy (Includes: Insulating film, grommet & elbow)
	00910.0000	2	Nut, #10 - 32
	01522.0000	2	Washer
11	39285.1001	1	Dispense Valve 120V
	34202.0004	1	Dispense Valve 230V
	01326.0000	2	Screws, TRH SLTD SST 10-32 x 1/4"
12	37970.0000	1	Grommet
13	12422.0009	1	Clamp, SNP-14
14	50094.0004	1	Tube, Dispense
15	20936.1000	1	Level Probe
16	38114.0000	1	Grommet
17	12568.0012	1	Temp Probe
18	33801.0003	1	Grommet
19	05515.0000	1	Gasket
20	41266.0000	1	Film, Insulating
21	02536.0000	1	Grommet
22	12585.0001	1	Tube Assembly, Overflow (H3X Only)
23		1	Tube, Silicone 5/16 x 15" (Not available, order # 24, cut as needed)

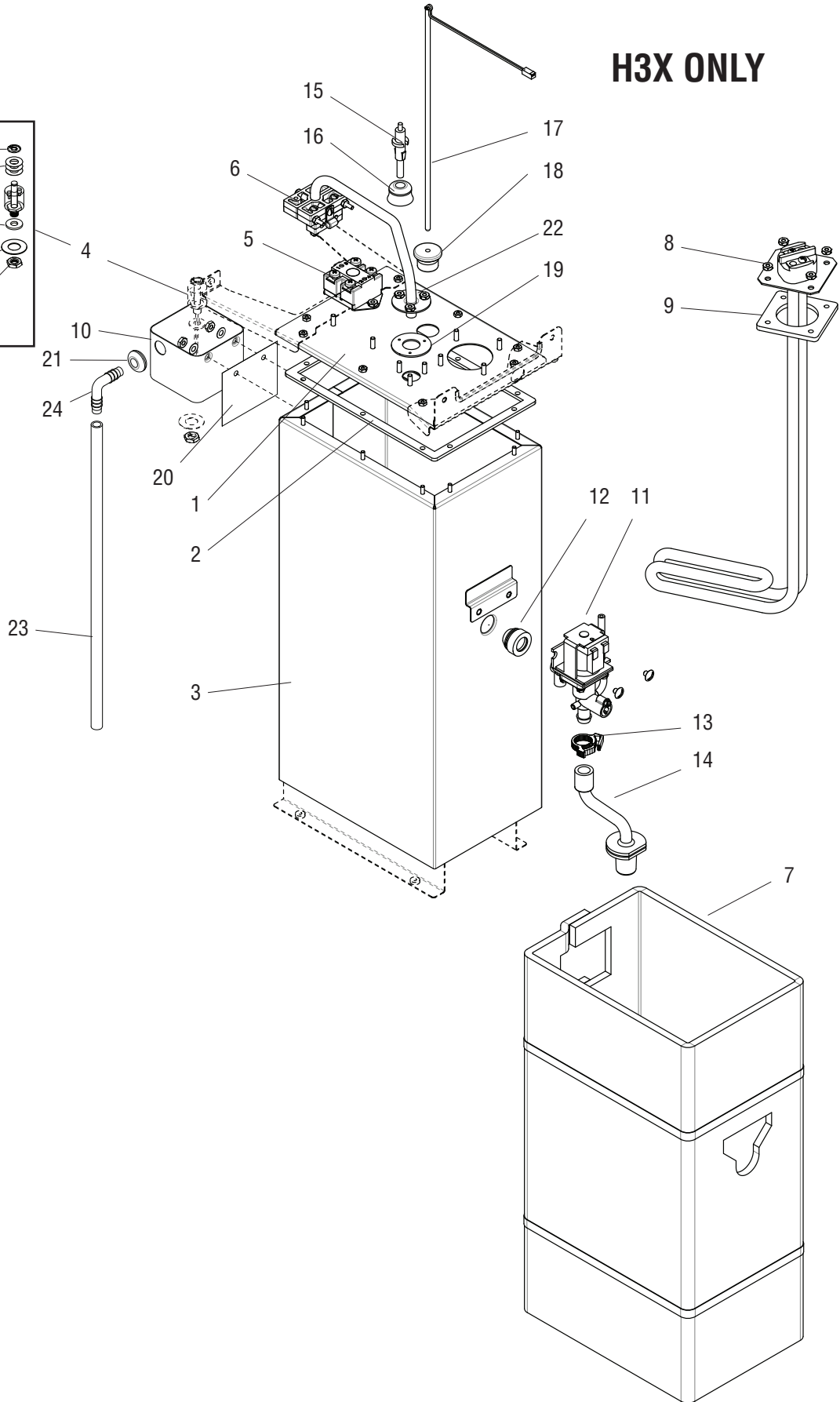
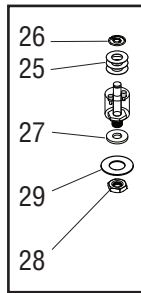
(Continued)



# TANK, INLET & DISPENSE H3X ONLY

H3 & H5  
PC / Element®

## H3X ONLY



## TANK, INLET & DISPENSE H3X ONLY

ITEM	PART NO.	QTY.	DESCRIPTION
24	41280.0001	1	Elbow
25		3	Washer, Adjusting (DO NOT USE IN THIS APPLICATION)
26	03807.0000	1	Clip, Spring
27	03633.0000	2	Gasket, Float Switch (Only 1 used in this application)
28	00946.0000	1	Nut, Hex .125" FPT
29	04797.0000	1	Washer

### The following items are not illustrated

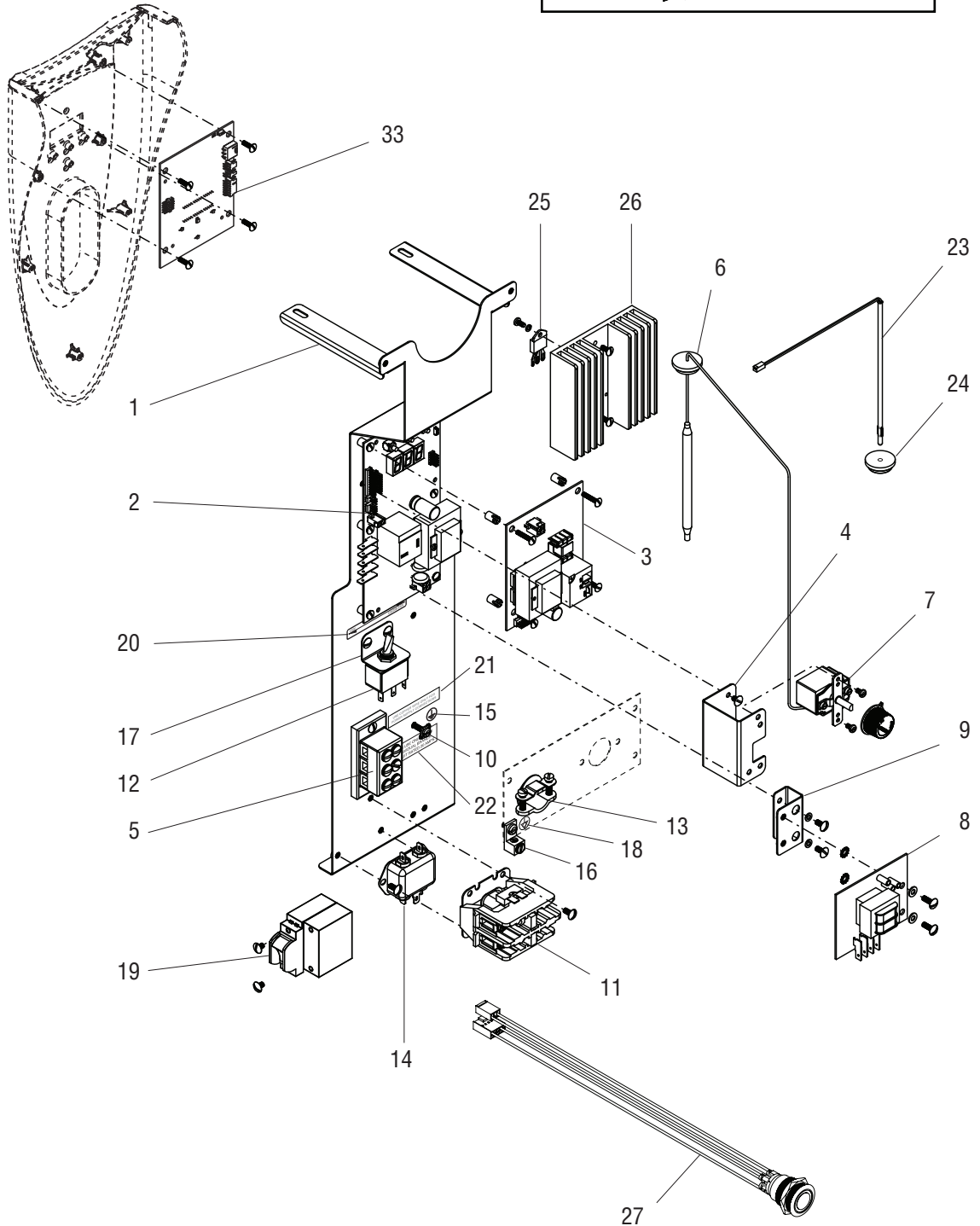
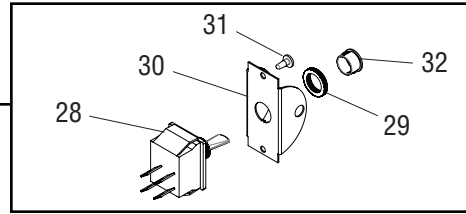
30	03236.1001	-	Tube, Silicone 5/16 x 3'
	03236.1002	-	Tube, Silicone 5/16 x 10'
	03236.1003	-	Tube, Silicone 5/16 x 5'



# ELECTRICAL COMPONENTS

**H3 & H5**  
PC / Element®

H3 ELEMENT ONLY



## ELECTRICAL COMPONENTS

ITEM	PART NO.	QTY.	DESCRIPTION
1		1	Bracket, Component Mounting (All H5) <b>NOT AVAILABLE</b>
		1	Bracket, Component Mounting (H3 Element <sup>®</sup> ) <b>NOT AVAILABLE</b>
2	40697.1000	1	Control Board, Digital 120V - 240V (H5X <sup>®</sup> /E/PC)
	50652.1000	1	Control Board, Digital 230V CE (H5X/E/PC)
	41185.0000	1	Kit, Retrofit CBA, Digital 120V - 240V (H5X/E/PC)
	41185.0001	1	Kit, Retrofit CBA, Digital 230V CE (H5X/E/PC)
	01388.0000	6	Screw, Pan Head #8 - 32 x .25"
	29081.0000	6	Spacer
3	50550.1000	1	Kit, CBA Main 220-240V CE H3EA/H5EA/H5XEA Element Series
	43958.1000	1	Kit, CBA Main H3E/H5E/H5XE 120V-240V Element Series
	01388.0000	4	Screw, Pan Head #8 - 32 x .25"
	29081.0000	4	Spacer
4	28195.0001	1	Bracket, Thermostat Mounting (H5M Only)
	01311.0000	2	Screw, Truss Head #8-32 x .25"
5	01106.0000	1	Terminal Block, 2 Pole (White/Black) 100V-120V
	01106.0001	1	Terminal Block, 2 Pole (Red/Black) 208V-240V
	01106.0003	1	Terminal Block, 2 Pole (Blue/Brown) 230V CE
	07038.0000	1	Terminal Block, 3 Pole (Red/White/Black) DV
	01317.0000	2	Screw, Truss Head #8 - 32 x .50"
6	07073.1000	1	Kit, Grommet
7	03024.0005	1	Kit, Thermostat 120V-240V (H5M Only)
	01310.0000	2	Screw, Pan Head #6 - 32 x .25" (Mounting)
	01520.0000	2	Lockwasher, Split #6
	20762.0000	2	Screw, Binding Head #8-32 x .25" (Terminal)
	00720.0000	1	Knob, Thermostat
8	07074.1030	1	Control Board, Liquid Level 120V
	07074.1029	1	Control Board, Liquid Level 208-240V
	01311.0000	2	Screw, Truss Head #8 - 32 x .25"
	00970.0000	2	Nut, Keps #8 - 32
9	46360.0000	1	Bracket, Control Board Mounting
	01315.0000	2	Screw, Truss Head #8 - 32 X .375"
	01519.0000	2	Lockwashers
10	37804.0000	1	Ground Screw W/Terminal Washer #8 - 32 x .50"
11	06335.1000	1	Contactory Assy, 120V Coil
	06335.1002	1	Contactory Assy, 240V Coil
	27906.1000	1	Contactory Assy, 230V Coil
	01315.0000	2	Screw, Truss Head #8 - 32 X .375"
12	23522.1001	1	Switch, DV (Includes Mounting Nut)
	23696.0000	1	Nut, Mounting
13	32833.1000	1	Strain Relief (CE Models Only)
	01531.0000	1	Washer, Reducing
	01590.0000	1	Cable Connector (Except CE)
	48041.0000	1	Strain Relief (120V H3 Models Only)

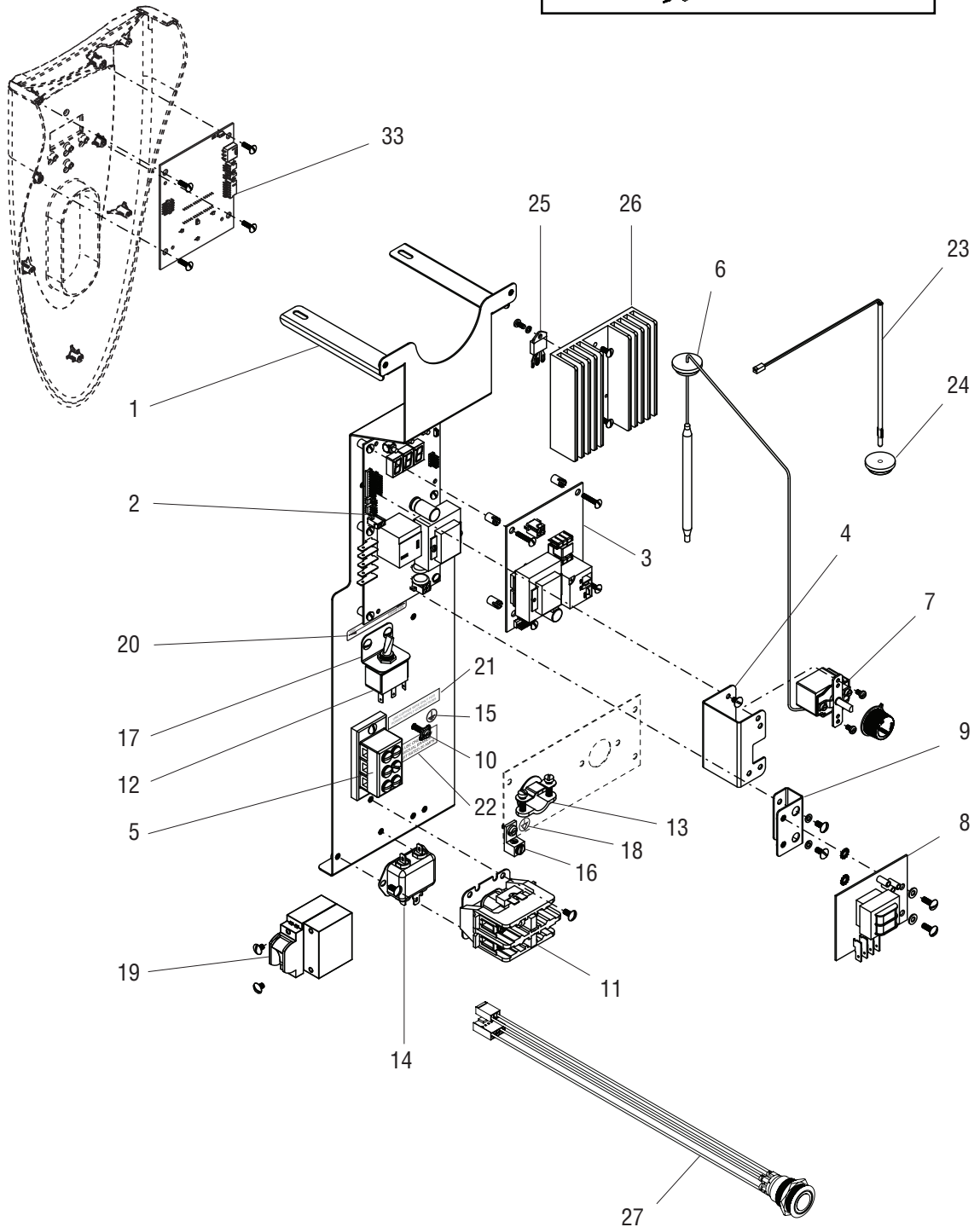
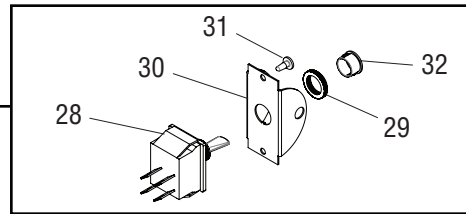
(Continued)



# ELECTRICAL COMPONENTS

H3 & H5  
PC / Element®

H3 ELEMENT ONLY



## ELECTRICAL COMPONENTS

ITEM	PART NO.	QTY.	DESCRIPTION
14	29446.0000	1	EMI Filter H5EA/XA
	29446.0004	1	EMI Filter H3EA/XA
	01315.0000	2	Screw, Truss Head #8 - 32 X .375"
	34808.0002	1	Capacitor, (Quick Connect Style)
15	00824.0002	1	Decal, Ground
16	27705.0000	1	Terminal Lug
	01512.0000	1	Lockwasher, Ext. tooth #10
17	46130.0000	1	Bracket, Switch
18	00824.0001	1	Decal, Equipotentiality
19	38894.0001	1	Switch, Master ON/OFF H5
	01308.0002	2	Screw, Truss Head, Locking #6-32 x .25" (Mounting)
20	34056.0000	1	Decal, DV Switch
21	00870.0000	1	Decal, Use Copper Wire Only
22	00985.0000	1	Decal, Individual Circuit Info
23	12568.0007	1	Sensor, Temperature (All models except H5M)
24	12570.0000	1	Grommet, Thermostat (All models except H5M)
25	12565.0041	1	Triac, 230V (H3EA Element)
	12565.0042	1	Triac, 120V (H3E Element)
	12565.0043	1	Triac, 120V (H3X Element)
	12565.0044	1	Triac, 230V (H3XA Element)
	02328.0003	1	Screw, 6-32 x .312"
	01520.0000	1	Lockwasher
	M2522.1000	-	Heat Sink Compound, 5oz Tube
26	20541.0001	1	Heat Sink
	01382.0007	2	Screws, 6-32 x .375"
27	50305.0002	1	Wiring Harness, Dispense Button w/switch (H3X Element)
	50305.0003	1	Wiring Harness, Dispense Button w/switch (H3E Element)
28	28004.0000	1	Switch, Master ON/OFF H3EA Element
	40763.0003	1	Switch, Toggle ON/OFF (H3XA Element)
29	23697.0000	1	Face Nut, H3EA Element
30	25102.0001	1	Bracket, Switch H3EA Element
31	28098.0000	1	Fastener, H3EA/H3E Element
32	00669.0003	1	Hole Plug, H3E Element
33	43957.1000	1	Kit, CBA, Display 120-240V (H5 Element)
	43957.1002	1	Kit, CBA, Display 230V CE (H3A Element)
	43957.1003	1	Kit, CBA, Display 120V (H3E Element)
	43957.1004	1	Kit, CBA, Display 120V (H3X Element)
	44224.0000	4	Screw
	27088.0000	4	Washer, Nylon 6-32x.3750Dx.025

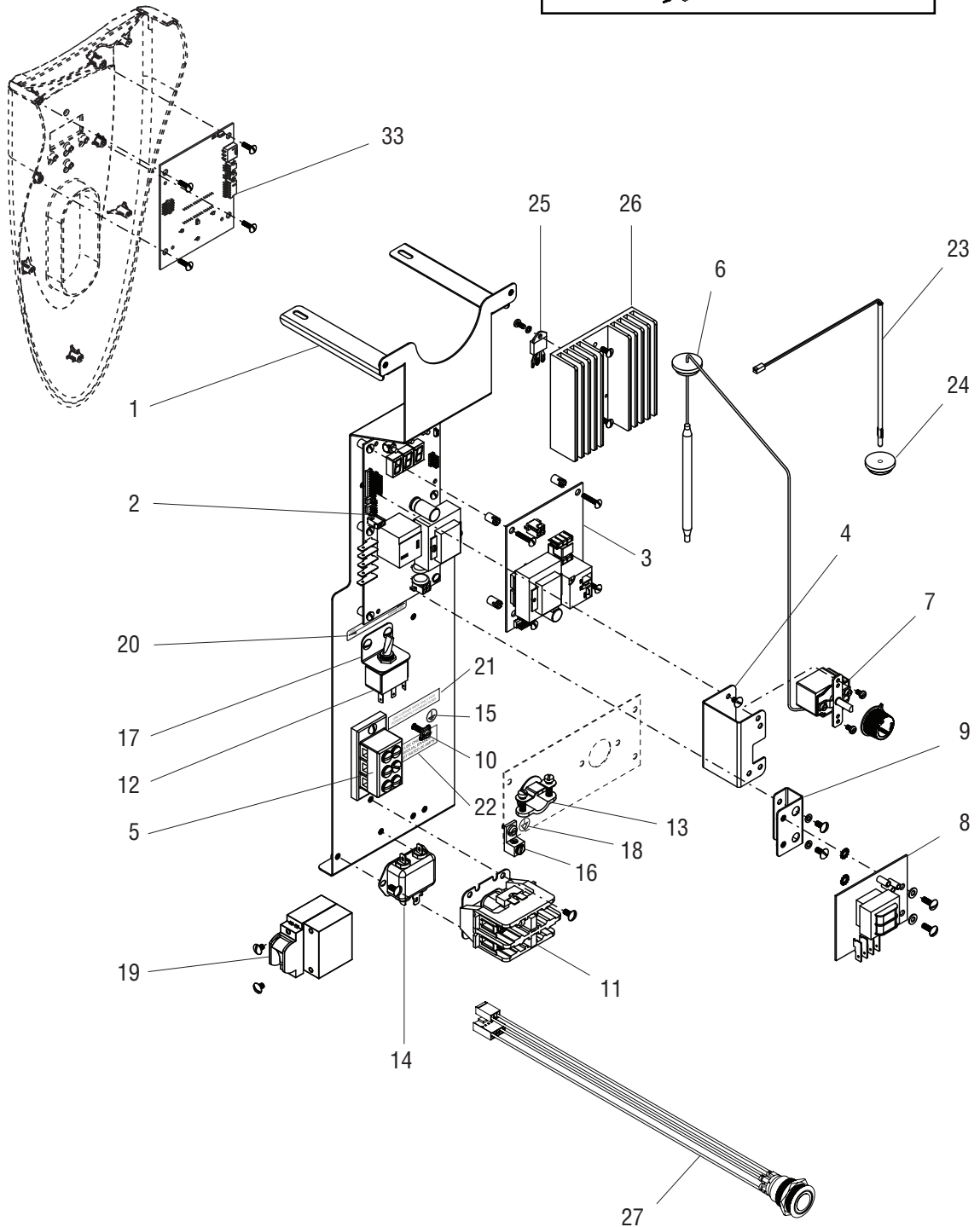
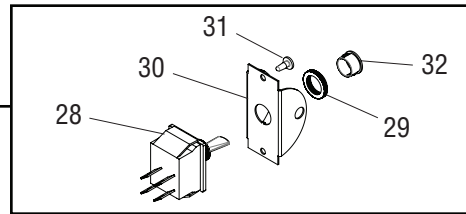
(Continued)



# ELECTRICAL COMPONENTS

H3 & H5  
PC / Element®

H3 ELEMENT ONLY



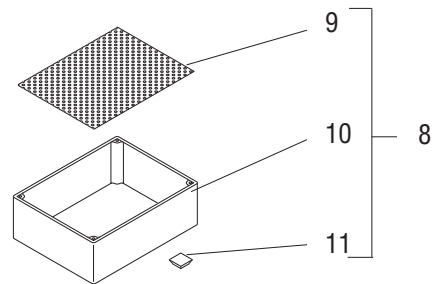
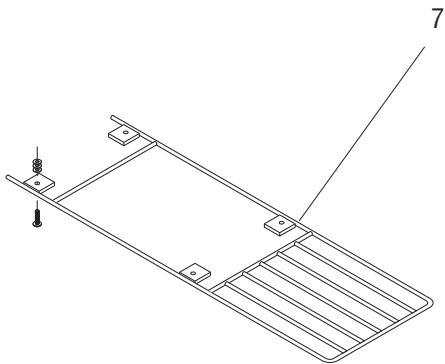
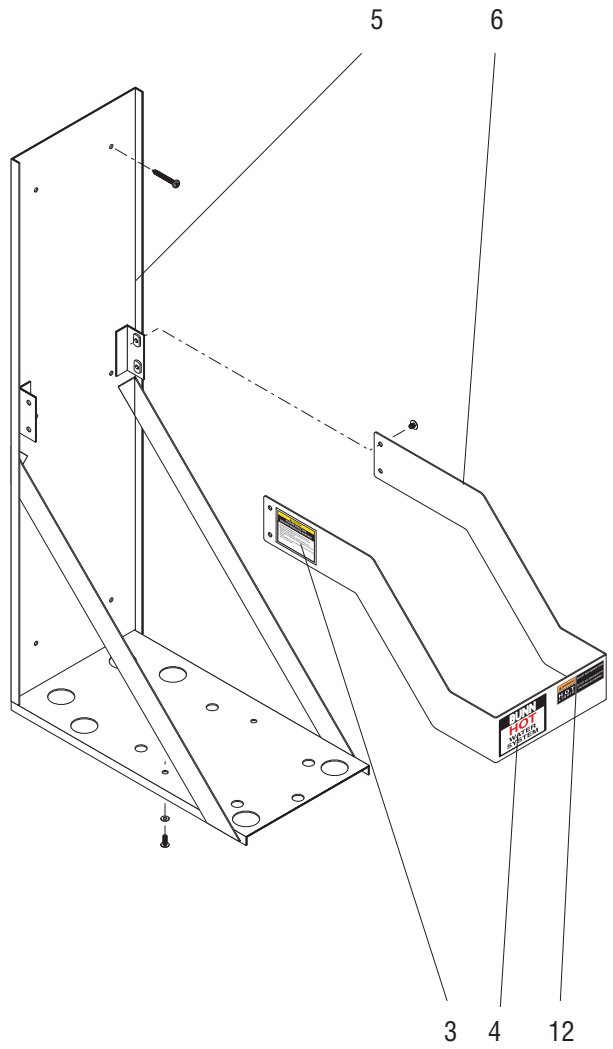
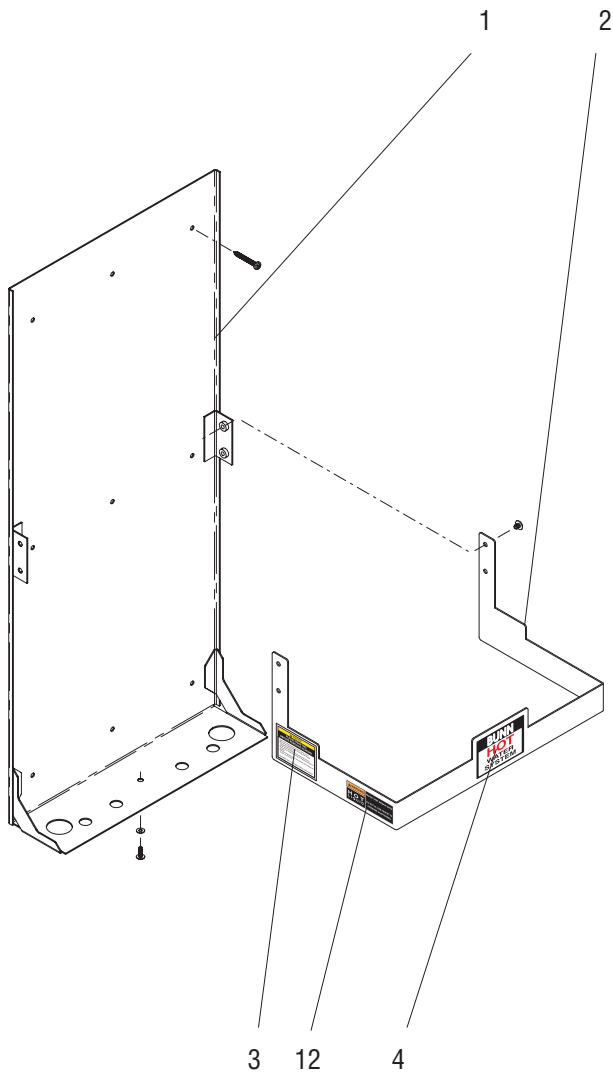
## ELECTRICAL COMPONENTS

ITEM	PART NO.	QTY.	DESCRIPTION
<b>The following items are not illustrated</b>			
34	12522.0004	1	Wiring Harness, Main 120V (H5M)
	12529.0007	1	Wiring Harness, Main 240V (H5M)
	12529.0008	1	Wiring Harness, Main 230V CE (H5MA)
	12575.0004	1	Wiring Harness, 120V (H5E/H5X <sup>®</sup> )
	12576.0013	1	Wiring Harness, 208-240V (H5E/X)
	12576.0002	1	Wiring Harness, 230V (H5E/X)
	12576.0006	1	Wiring Harness, Main 230V CE (PC)
	12576.0012	1	Wiring Harness, Main DV (PC)
	12576.0015	1	Wiring Harness, Main 200V (PC)
	12576.0008	1	Wiring Harness, Main 120V, 208V-240V (H5 Element <sup>®</sup> )
	12576.0009	1	Wiring Harness, Main 230V CE (H5 Element)
	12576.0016	1	Wiring Harness, Main 230V CE (H3EA Element)
	12576.0018	1	Wiring Harness, Main 120V (H3E Element)
	12576.0020	1	Wiring Harness, Main 120V (H3X Element)
	12576.0021	1	Wiring Harness, Main 120V (H3XA Element)
35	21014.0034	1	Lead Assy, 14AWG Blk 7.0" Tank Heater to Limit (120/240V)
	27945.0000	1	Lead, Thermal Cut-off, Blk 8.5" (230V)
36	38920.0000	1	Wiring Harness, Master Switch to Term Block (Black-Red)
	38920.0004	1	Wiring Harness, Master Switch to Term Block (Black-White)
	38920.0011	1	Wiring Harness, Master Switch to Term Block (Blue-Brown)
	38920.0013	1	Wiring Harness, Master Switch to Term Block (Blue-Brown) H3X
	38920.0014	1	Wiring Harness, Master Switch to Term Block (Blue-Brown) H3XA
37	23799.0001	1	Power Cord (120V) (Models w/Factory Installed 15A Cord Only)
	01638.0000	1	Cord, Power 12/3 SJO-NEMA 5-20P (Models w/Factory Installed 20A Cord Only)
	28111.0006	1	Cord, Power 230V H3EA Element CE
	42749.0031	1	Cord, Power 230V H3EA Element Inmetro
	20630.0005	1	Cord, Power 120V H3E Element
38	39357.0000	1	Wiring Harness, Membrane Switch to Control Board (PC)
39	44821.0000	1	Wiring Harness, LL Probe/Gnd to CBA (H5 Element)
	44821.0001	1	Wiring Harness, LL Probe/Gnd to CBA (H3 Element)
40	44033.0000	1	Wiring Harness, Display CBA to Main CBA (H5 Element)
	44033.0001	1	Wiring Harness, Display CBA to Main CBA (H3 Element)
41	45288.0000	1	Wiring Harness, EMI to Main Switch
	45288.0001	1	Wiring Harness, EMI to Main Switch H3XA
42	40717.0000	1	Lead, Contactor to Heater (Blue) (H5M)
43	40719.0000	1	Lead, Switch to Contactor (White/Violet) (H5M)
44	42095.0000	1	Wiring Harness, Contactor to Limit (H5M)
45	42096.0000	1	Wiring Harness, Limit to Heater (H5M)
46	38920.0012	1	Wiring Harness, Main Switch to Term Block (H3A Element Only)
47	50286.0000	1	Wiring Harness, Relay to Triac (H3 Element)



# WALL BRACKETS, DRIP TRAY & WIRE SHELF

H3 & H5  
PC / Element®



P538.37

## WALL BRACKETS, DRIP TRAY & WIRE SHELF

ITEM	PART NO.	QTY.	DESCRIPTION
1		1	Wall Bracket, Side Mounting (See Sales Manual for Wall Bracket Kit)
	02334.0000	6	Screw, Pan Head Phillips #10 x 1.50"
	01501.0000	1	Washer .164" I.D. x .375" O.D.
	01317.0000	1	Screw, Truss-hd #8-32 x .50"
2	12549.1001	1	Support Strap W/Decals (Includes items 3, 4 & 12)
	01326.0000	4	Screw, Truss Head #10 - 32 x .25"
3	12556.0000	2	Decal, Caution Dispenser Removal
4	00657.0002	1	Decal, Bunn Hot Water
5		1	Wall Bracket, Front Mounting (See Sales Manual for Wall Bracket Kit)
	02334.0000	6	Screw, Pan Head Phillips #10 x 1.50"
	01501.0000	2	Washer .164" I.D. x .375" O.D.
	01317.0000	2	Screw, Truss-hd #8-32 x .50"
6	13127.1001	1	Support Strap W/Decals (Includes items 3, 4 & 12)
	01326.0000	4	Screw, Truss Head #10 - 32 x .25"
7	12599.0000	1	Wire Shelf Kit (Includes mounting hardware)
	01503.0000	12	Washer, Flat .25" I.D. x .56" O.D. (Use as required)
	01370.0000	4	Screw, Pan Head #8 - 32 x .75"
8	02497.0000	1	Drip Tray Assy (Includes items 9 thru 11)
9	02546.0000	1	Cover, Drip Tray
10	02545.0000	1	Drip Tray
11	02547.0000	4	Foot, Rubber
12	12538.0000	1	Decal, Caution - Hot Liquid

